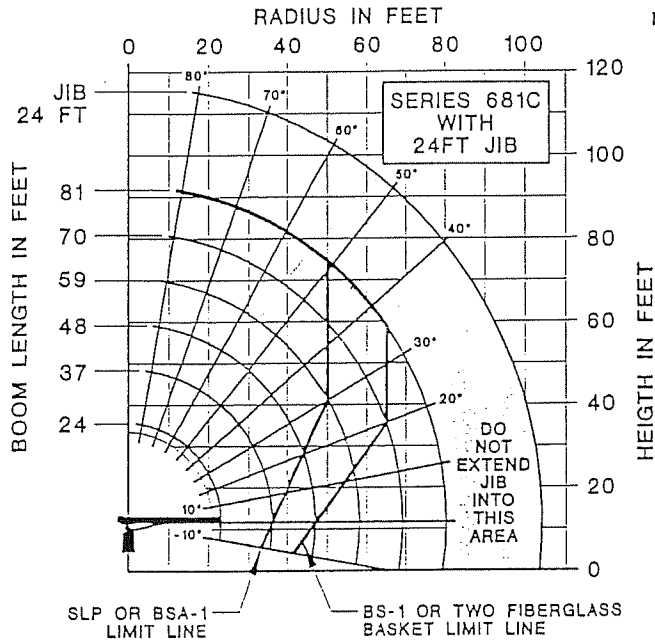


# National Series 600C Load Rating Charts (continued)

*CURS*

*81 + 24 = 105*



NOTE:

1. OPERATE WITH JIB BY RADIUS, WHEN MAIN BOOM IS FULLY EXTENDED. IF NECESSARY INCREASE BOOM ANGLE TO MAINTAIN LOADED RADIUS.
2. OPERATE WITH JIB BY BOOM ANGLE WHEN MAIN BOOM IS NOT FULLY EXTENDED. DO NOT EXCEED RATED JIB CAPACITIES AT ANY REDUCED BOOM LENGTHS.

LOAD RADIUS (FEET)	LOADED BOOM ANGLE	24FT JIB (LBS)
20	78	3,200
25	77.5	2,800
30	74.5	2,500
35	72	2,200
40	69	1,900
45	68	1,600
50	63	1,400
55	60	1,200
60	57	1,000
65	53.5	800
70	50	700
75	46	600

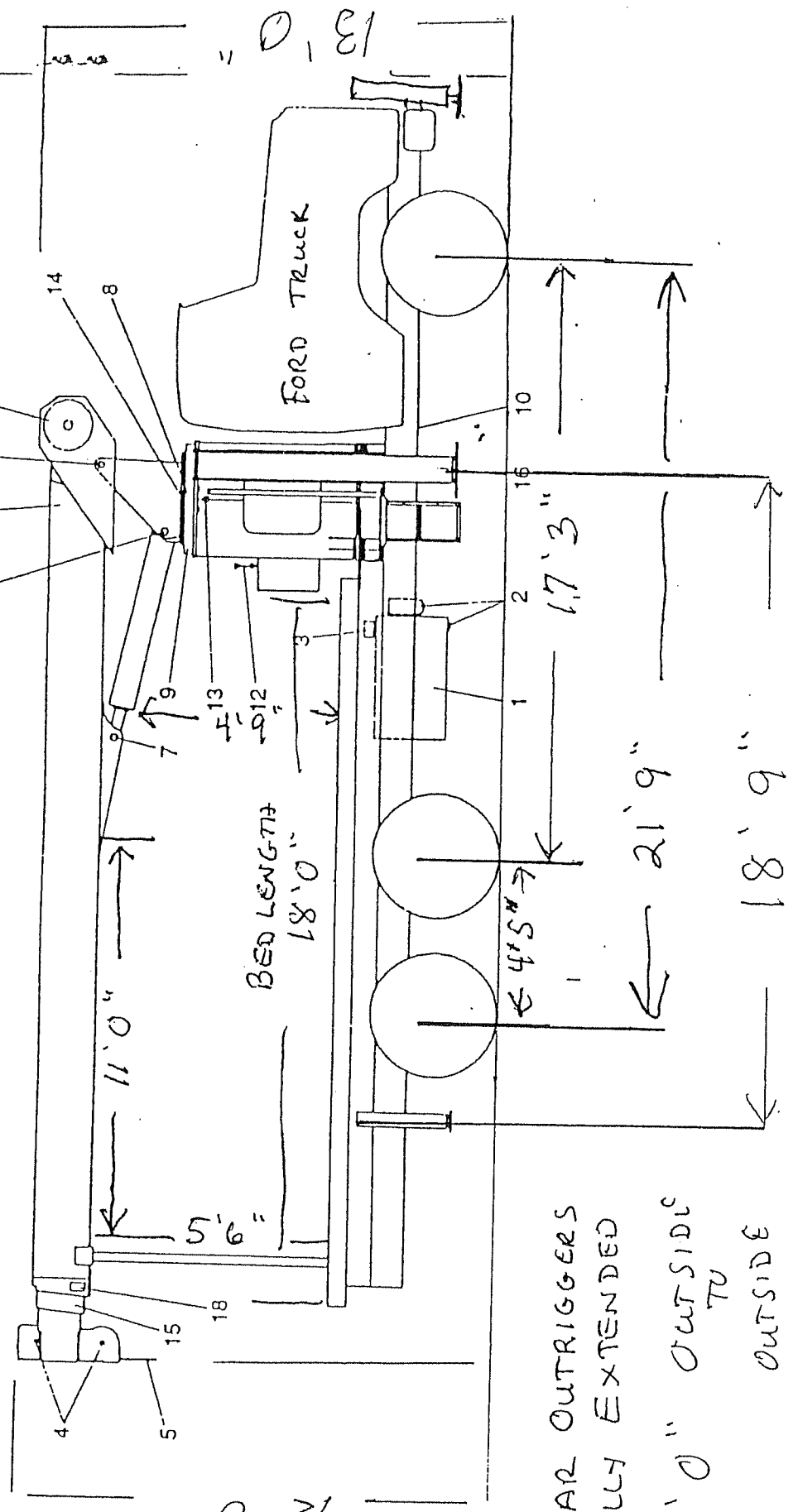
LOAD RADIUS (FEET)	LOADED BOOM ANGLE	24FT BOOM (LBS)	LOADED BOOM ANGLE	37FT BOOM (LBS)	LOADED BOOM ANGLE	48FT BOOM (LBS)	LOADED BOOM ANGLE	59FT BOOM (LBS)	LOADED BOOM ANGLE	70FT BOOM (LBS)	LOADED BOOM ANGLE	81FT BOOM (LBS)	LOADLINE EQUIPMENT DEDUCT DOWNHAUL WEIGHT = 150 ONE SHEAVE BLOCK = 200 TWO SHEAVE BLOCK = 355	
4.5	78.5	34,000												
8	69.5	22,050	77.5	19,350										
10	64	18,250	74.5	15,850	78.5	14,350								
12	58	15,850	71	13,800	76	12,150	79	10,950						
14	52	13,850	67.5	11,900	73.5	10,650	77	9,550	79.5	8,800				
16	45.5	12,350	64	10,800	71	9,450	75	8,500	78	7,800				
20	28.5	9,750	56.5	8,700	65.5	7,750	71	7,050	74.5	6,400	77	6,150		
25			47	7,250	59	6,400	66	5,700	70.5	5,200	73.5	4,950		
30			35	5,950	51.5	5,350	60.5	4,800	66	4,350	69.5	4,100		
35			15	4,500	43.5	4,550	54.5	4,100	61	3,750	65.5	3,500		
40					33	3,850	48	3,550	56.5	3,250	61.5	3,050		
45					18	3,100	40.5	3,100	51	2,850	57.5	2,850		
50							32	2,875	45.5	2,500	53	2,350		
55							20	2,200	39	2,200	48	2,050		
60									31.5	1,850	43	1,800		
65									21.5	1,550	37.5	1,550		
70											30.5	1,300		
75											22	1,050		
80											3.5	550		
	0	6,400	0	3,450	0	2,150	0	1,350	0	800				

*NOT*

← OVERALL LENGTH: 34' 4" →

WEIGHT, FRONT AXLE	13360
SECOND AXLE	12960
THIRD AXLE	11380
TOTAL EMPTY	37700

# LUBRICATION CHART



REAR OUTRIGGERS  
FULLY EXTENDED  
14' 0" OUTSIDE  
TO  
OUTSIDE

12' 0"      18' 0"      17' 3"      18' 9"

